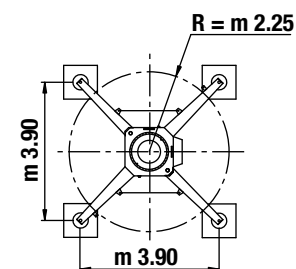
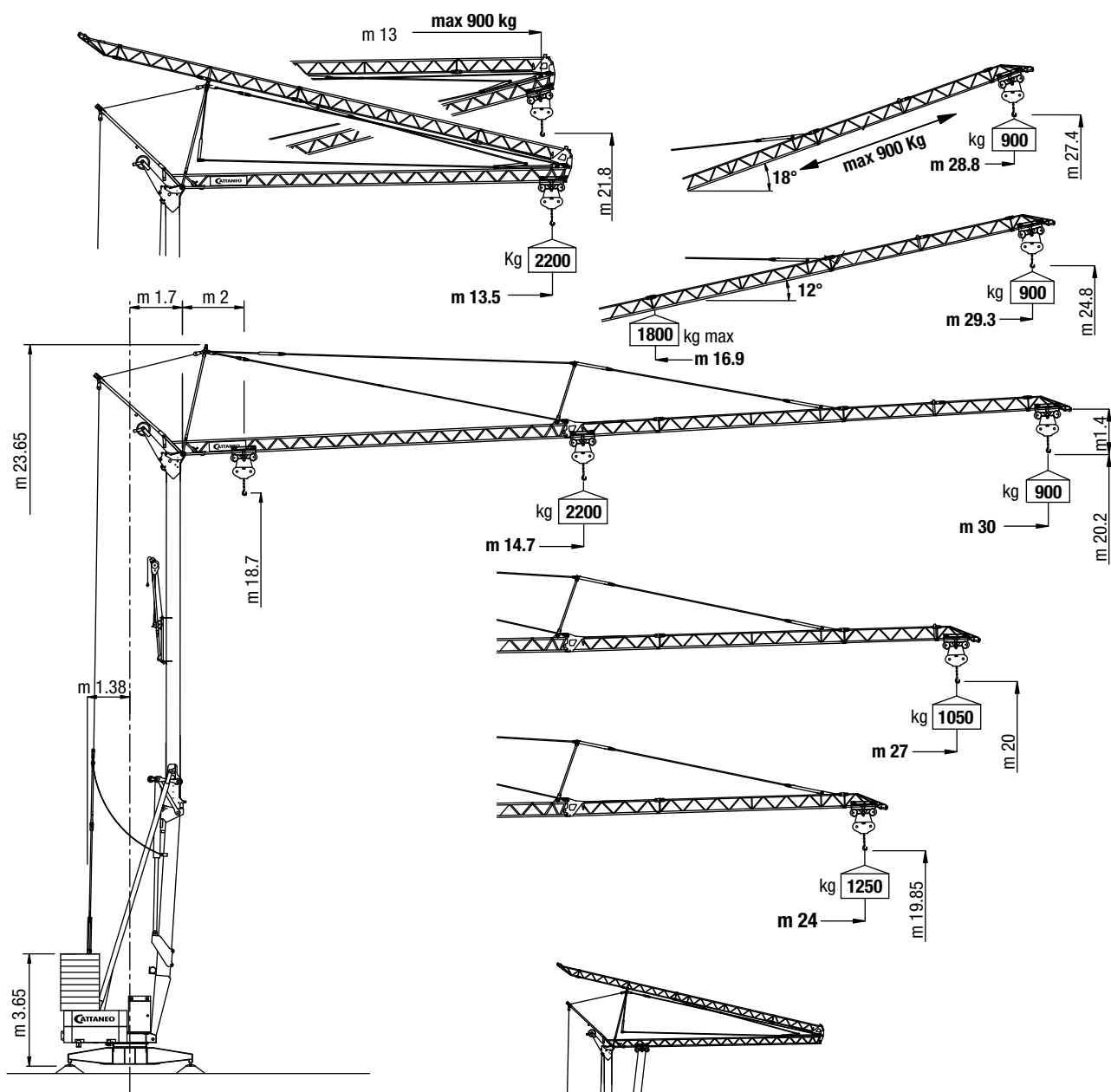


CM 74B



Sistema di autozavorramento

Curve di carico	kg	2200	2100	2000	1800	1600	1400	1250	1200	1050	900
Load diagrams	m	14.7	15.2	15.8	17.3	19.0	21.1	22.5	23.9	26.6	30.0
Courbes de charge	m	14.9	15.4	16.1	17.5	19.3	21.5	22.9	24.3	27.0	
Lastkurven	m	15.2	15.7	16.4	17.8	19.6	21.9	24.0			
Curvas de cargas	m				16.9	18.6	20.7	22.6	23.4	26.0	29.3

